

pH/ORP flow-through probe

Models 8340/8340.P



data sheet

Features

- Industrial, heavy-duty probe for use in difficult applications
- The probe may be equipped with various combinations of electrodes (i.e.: glass electrodes, reference electrodes, temperature sensors, combination electrodes, ORP electrodes, and liquid earth rods)
- The electrolyte reservoir is integrated with the probe
- The probe's reservoir may be pressurized with instrument air or with a simple hand pump (retrofit is possible)
- A chemical or mechanical electrode cleaning system can be retrofitted
- The electrodes are visible at all times, simple to remove, exchange and calibrate
- The probe's sample cup remains filled with sample solution at all times thus ensuring wetted, active electrodes throughout the operation.

polymetron

a Hach Ultra Analytics solution

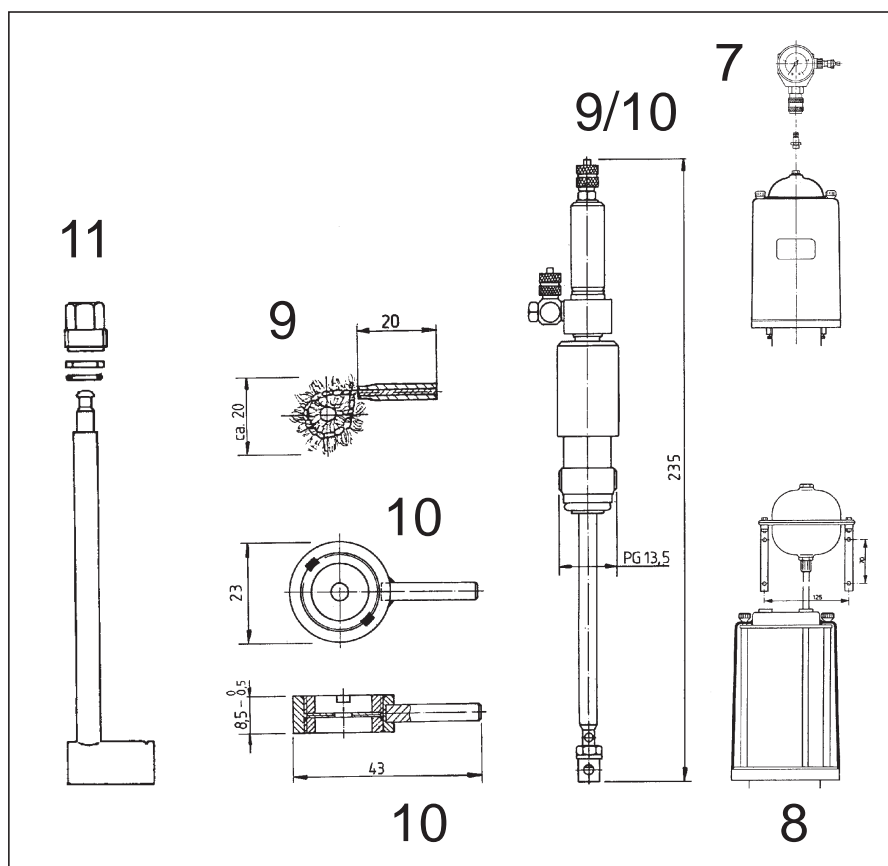
Headquarters:

6, route de Compois
C.P. 212
CH1222 Vérenaz, Geneva
Switzerland

Tel. +41 22 855 91 00

Fax +41 22 855 91 99

salesinfo@hachultra.com



HACH **ULTRA**
ANALYTICS

www.hachultra.com

This publication is not intended to form the basis of a contract and the company reserves the right to amend the design and specifications of the instruments without notice.

Distributor

HUA_TE 8340revD.pdf

Specifications

- Sample temperature: -10 to $+80^{\circ}\text{C}$ (14 to 176°F)
- Ambient temperature: -10 to $+55^{\circ}\text{C}$ (14 to 131°F)
- Sample pressure: 2 bar (29 psi) max. within -10 to $+80^{\circ}\text{C}$
- Flow rate: 15 l/min. max.
- Pressure drop: 0.045 bar
- Volume of the sample cup: 0.5 l
- Volume of the reference-electrolyte reservoir: 0.5 l
- Permissible pressure for electrolyte reservoir: 5 bar max. (72 psi)
- Protective hood: IP 54
- Weight: Approx. 2.5 kg (5.5 lbs)

Materials :

- Probe body: Polypropylene
- Sample cup: Borosilicate glass
- Sample-cup gasket: Silicon
- Electrode seals: Viton®
- Pipe gaskets: Neoprene
- Protective hood: PMMA (Polymethylmetacrylate), blue
- Electrolyte resevoir: Polyamide (Special PA)
- Electrolyte tubing: Polyurethane
- Electrolyte-tubing nipples: Polyacetal.

Viton® is a registered trademark of E. I. Dupont de Nemours and Co.

